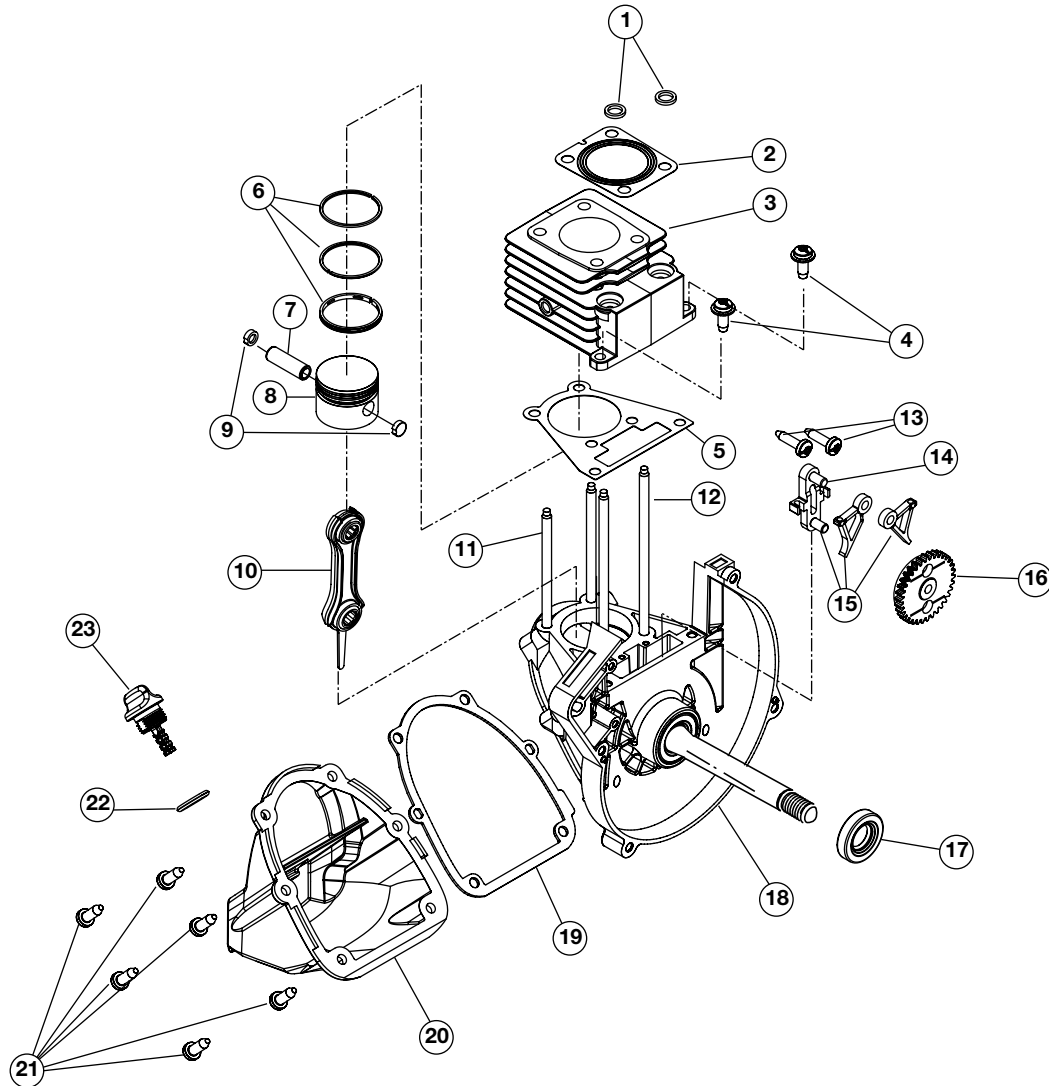


CYLINDER & CRANKCASE ASSEMBLY - MODEL 975r/990r
(Serial No. 611000001 and greater)

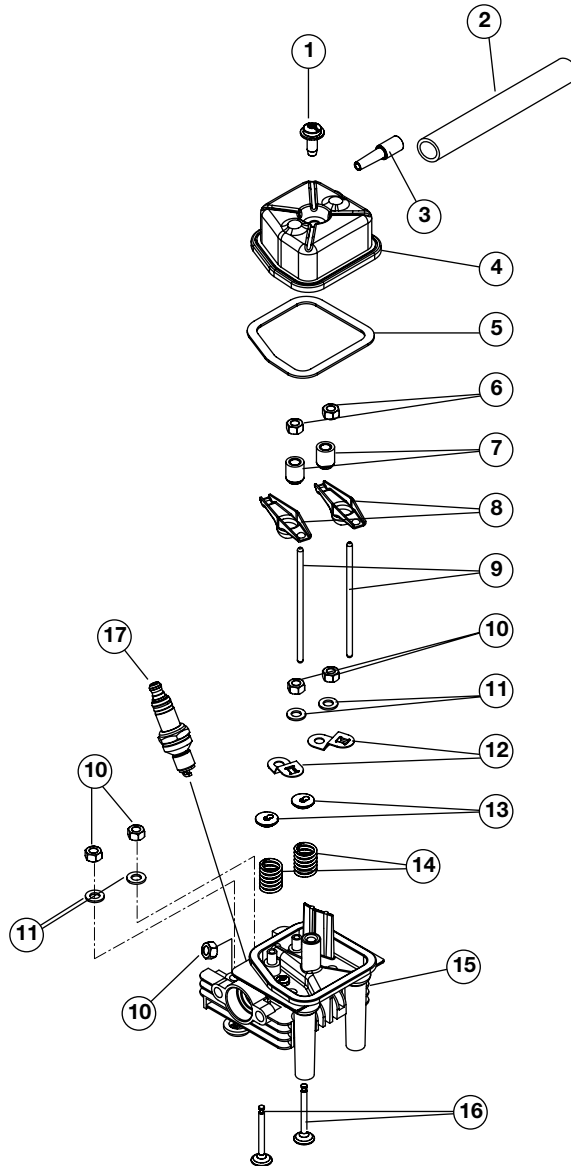


Item	Part No.	Description
1	181000	O-Ring
2	181001	Cylinder Head Gasket
3	181002	Cylinder
4	181003	Screw, (M5 X 18.7mm)
5	181004	Cylinder Gasket
6	181005	Piston Ring Set
7	181006	Wrist Pin
8	181007	Piston
9	181008	Wrist Pin Button
10	181009	Connecting Rod
11	181010	Cylinder Stud (83.5mm)
12	181011	Cylinder Stud (115.5mm)
13	181012	Cam Bracket Screw
14	181013	Cam Bracket
15	181014	Cam Follower

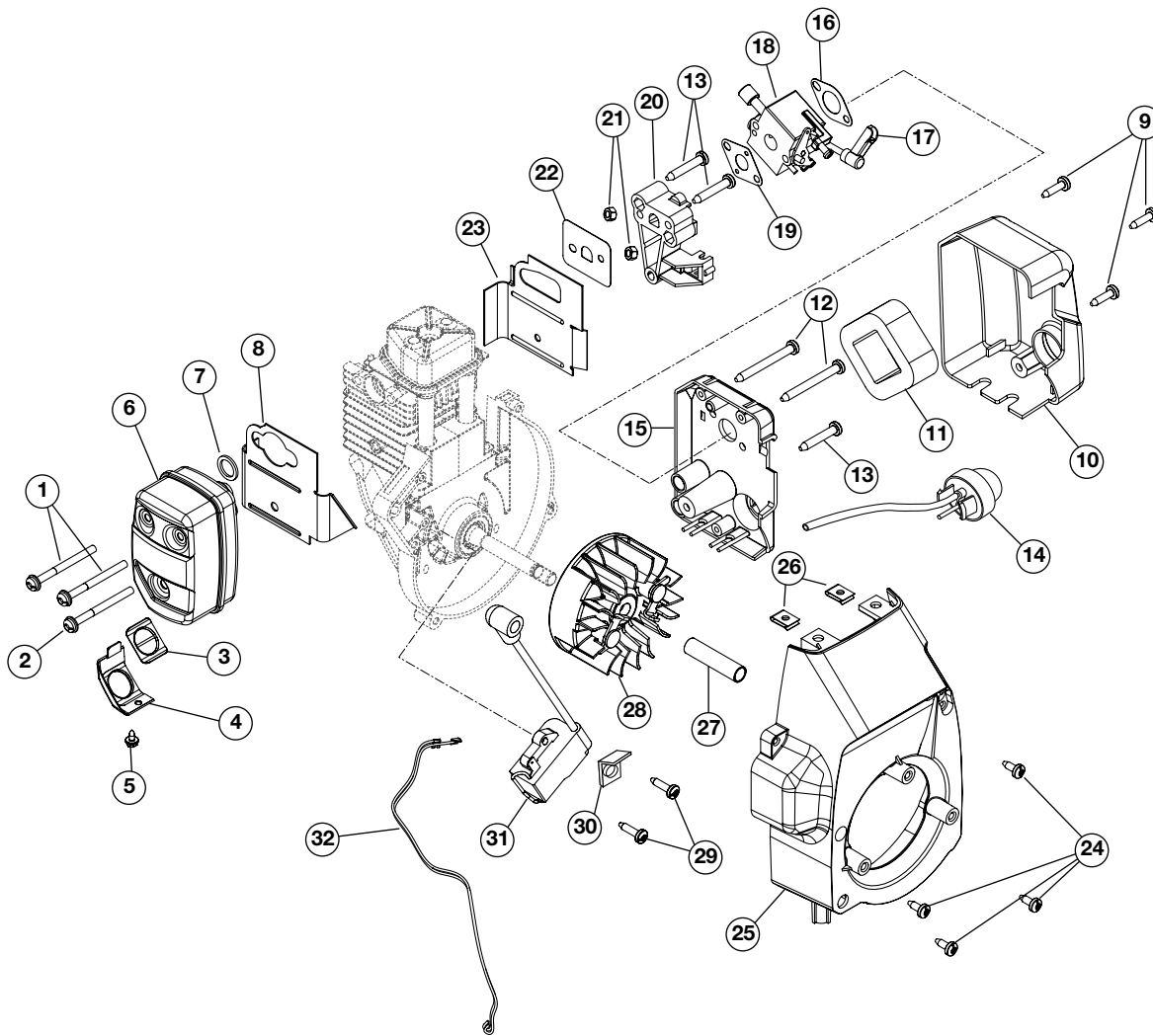
Item	Part No.	Description
16	181015	Cam Gear
17	181016	Seal
18	181017	Crankcase W/Power Shaft (includes items 11, 12 & 17)
19	181018	Oil Pan Gasket
20	181019	Oil Pan
21	181020	Screw (M5 X 15.8mm)
22	181021	O-Ring
23	181022	Oil Fill Plug (includes item 22)
*	181023	Piston and Rod Assembly (items 6-10)
*	181024	Engine Gasket Kit
*		not shown

CYLINDER HEAD ASSEMBLY - MODEL 975r/990r
(Serial No. 611000001 and greater)

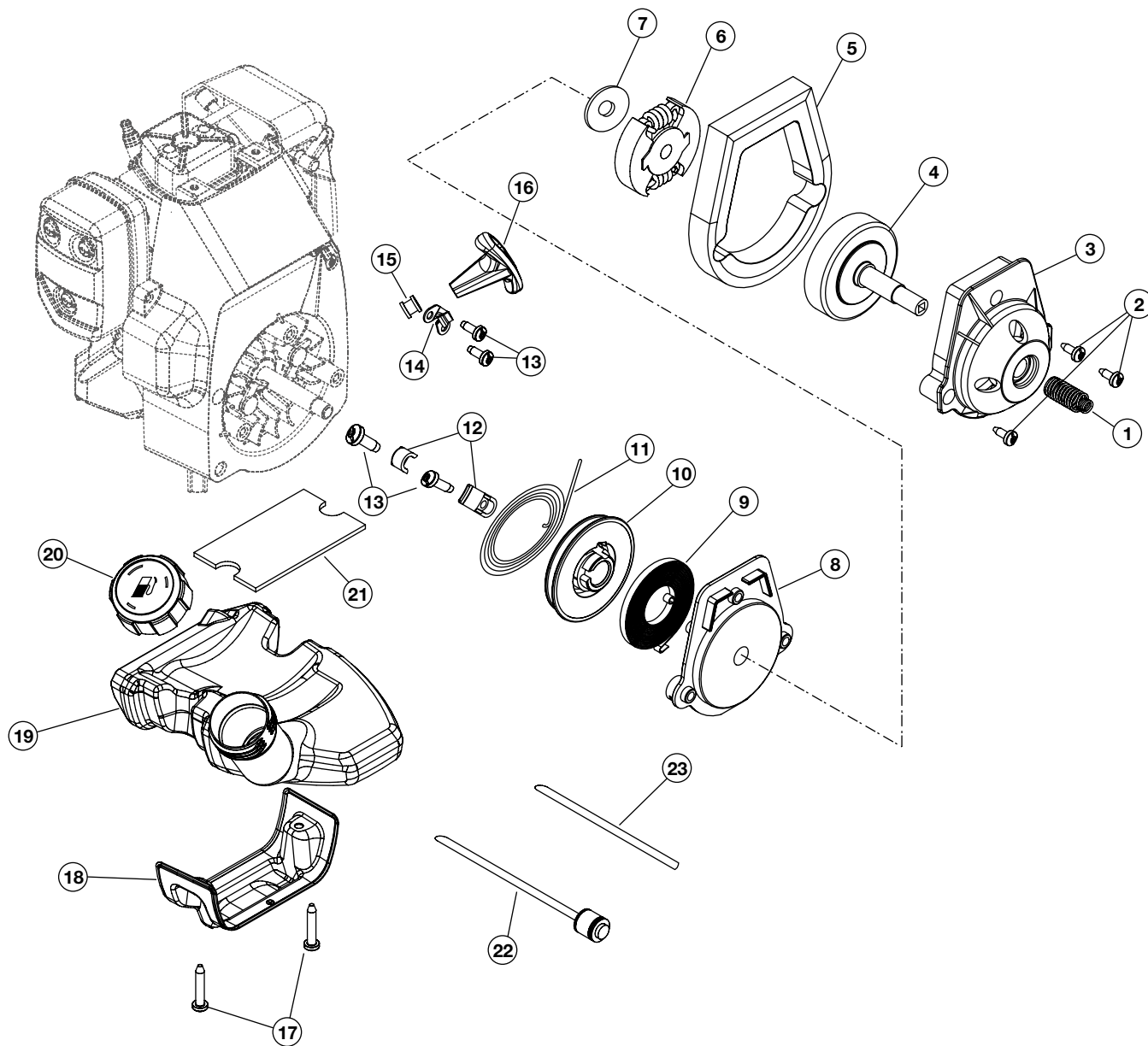
Item	Part No.	Description
1	181025	Valve Cover Screw
2	181026	Breather Hose
3	181027	Breather Assembly
4	181028	Valve Cover
5	181029	Valve Cover Gasket
6	181030	Rocker Adjusting Nut
7	181031	Rocker Arm Pivot
8	181032	Rocker Arm
9	181033	Push Rod
10	181034	Hex Nut
11	181035	Washer
12	181036	Push Rod Guide
13	181037	Valve Spring Retainer
14	181038	Valve Spring
15	181039	Cylinder Head
16	181040	Valve
17	180852	Spark Plug
*	181041	Cylinder Head Assembly (items 13-16)
*	181042	Short Block Assembly (all items from pages 2 & 3)
*		not shown



CARBURETOR & MUFFLER ASSEMBLIES - MODEL 975r/990r (Serial No. 61100001 and greater)



Item	Part No.	Description	Item	Part No.	Description
1	181043	Muffler Mounting Screw(2 required)	20	181060	Carb Mount Insulator
2	181044	Muffler Mounting Screw	21	181034	Hex Nut
3	180890	Spark Arrestor Screen	22	181061	Intake Gasket
4	181045	Screen Cover	23	181062	Intake Baffle
5	181046	Screen Cover Screw	24	181003	Screw (M5 X 18.7mm)
6	181047	Muffler (items 1-7)	25	181063	Fan Housing
7	181048	Muffler Gasket	26	181064	Tinnerman Nut
8	181049	Muffler Baffle	27	181065	Spacer
9	181050	Air Filter Cover Screw	28	180929	Flywheel
10	181051	Air Filter Cover	29	181066	Module Screw
11	180350	Air Filter	30	611063	Ground Tab
12	181052	Air Filter Base Screw (52.5mm)	31	181067	Ignition Module
13	181053	Screw (M5 X 29mm)	32	181094	18" Lead Wire Set
14	181054	Primer and Line Assembly	*	610676	Flywheel Key
15	181055	Air Filter Base	*	180142	Flywheel Starter Pawl Repair Kit
16	181056	Gasket	*	181068	O.E.M. Carburetor Repair Kit
17	181057	Choke Lever	*	181069	Gasket-Diaphragm Repair Kit
18	181058	Carburetor W/Choke Lever (includes limiter caps)	*	180986	Carburetor Limiter Cap Set (Walbro)
19	181059	Gasket	*	181562	Carburetor Limiter Cap Set (Zama)
			*		not shown

CLUTCH, STARTER MODULE & FUEL TANK ASSEMBLIES -**MODEL 975r/990r****(Serial No. 61100001 and greater)****Item Part No. Description**

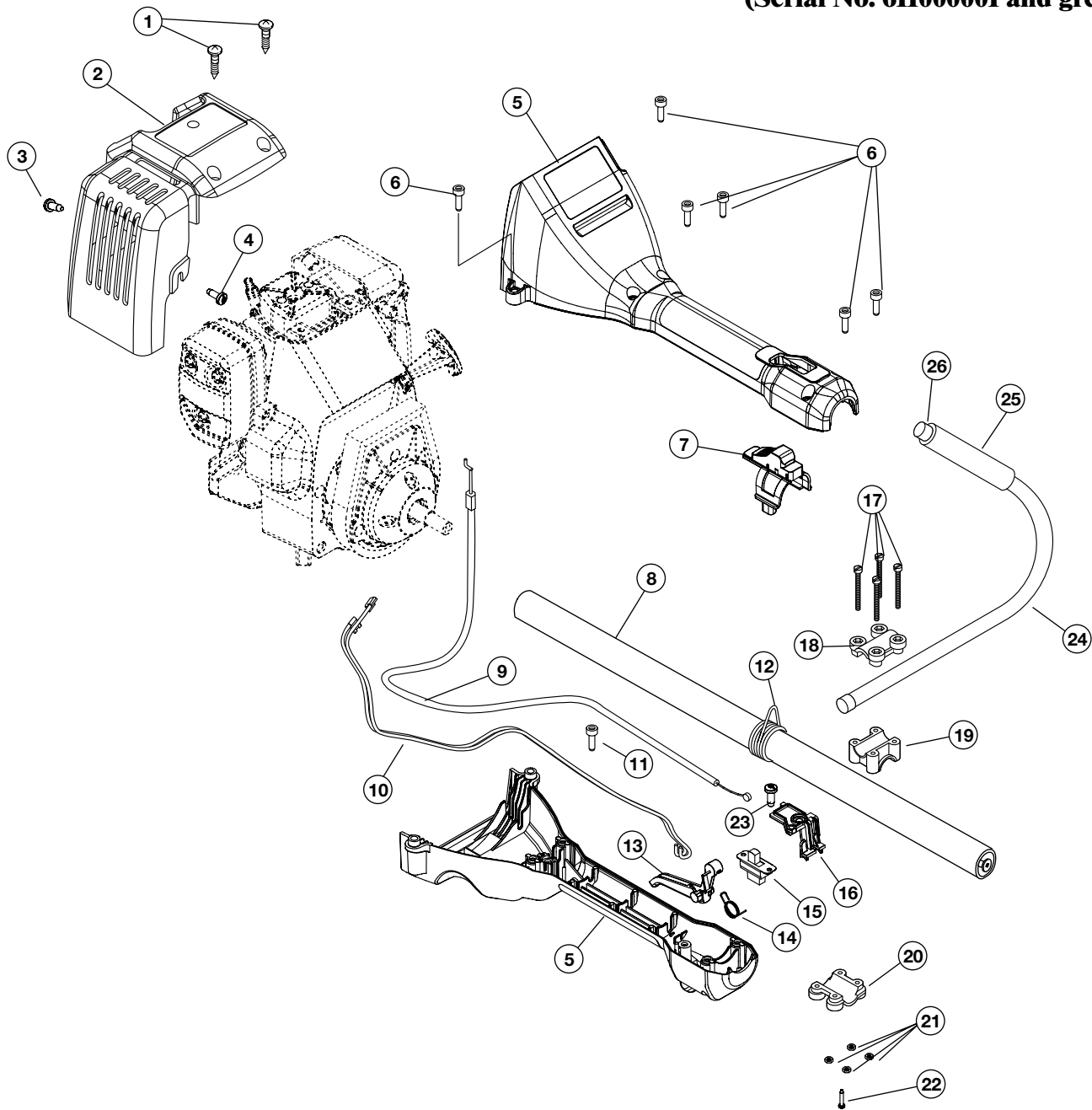
1	612468	Compression Spring
2	181070	Screw (M5 X 32mm)
3	181071	Clutch Housing
4	180232	Clutch Drum
5	181072	Isolator
6	181837	Clutch
7	181074	Clutch Washer
8	181075	Starter Housing
9	613102	Starter Spring
10	180535	Starter Pulley
11	613103	Starter Rope
12	181076	Starter Pulley Retainer
13	181077	Screw (M4 X 12.7mm)
14	181078	Rope Guide Retainer
15	611061	Rope Guide

Item Part No. Description

16	181079	Starter Handle
17	181080	Fuel Tank Bracket Screw
18	181081	Fuel Tank Bracket
19	181082	Fuel Tank (includes items 20, 22 & 23)
20	181083	Fuel Cap
21	181084	Fuel Tank Pad
22	181085	Fuel Line Assembly W/Filter
23	181086	Fuel Return Line
*	181102	Clutch Housing Assembly W/Drum (items 3 & 4)
*	181087	Starter Module Assembly (items 8-13, 15 & 16)
*		not shown

HANDLE & UPPER BOOM ASSEMBLY - MODEL 975r/990r

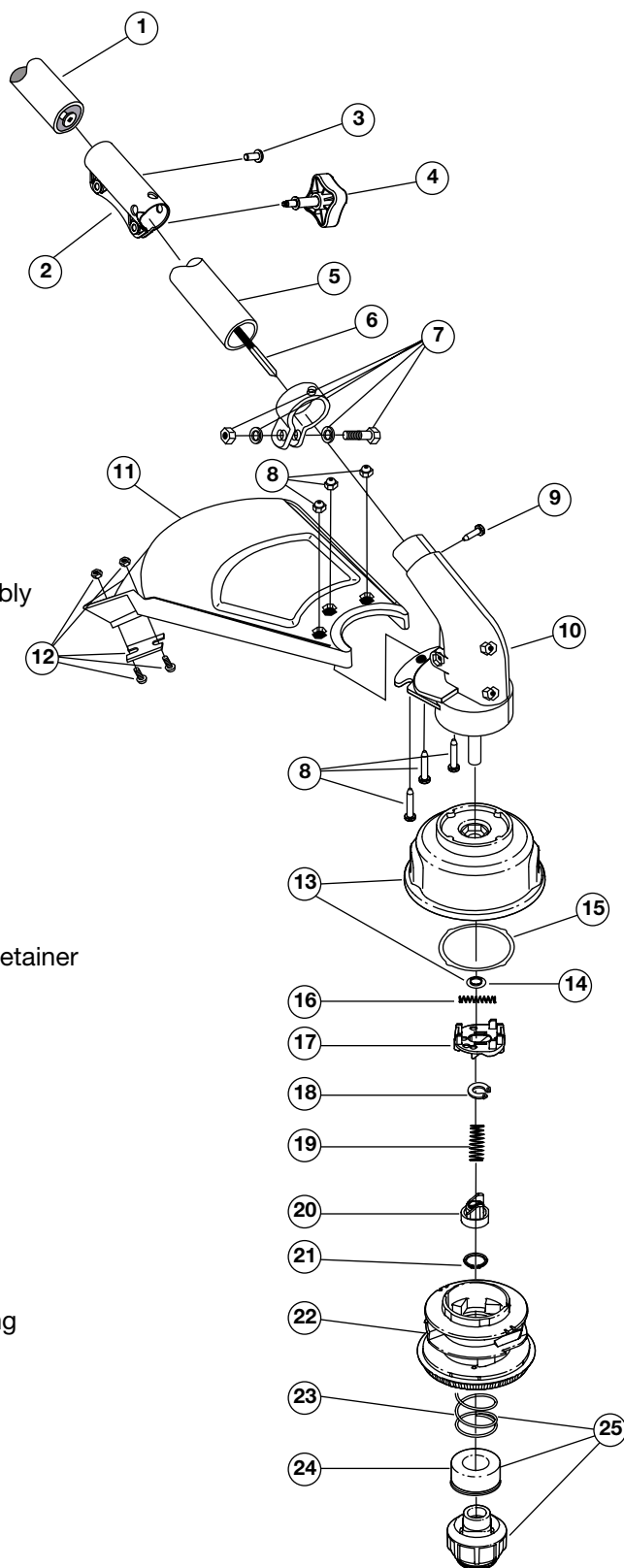
(Serial No. 611000001 and greater)



Item	Part No.	Description
1	181020	Screw (M5 X 15.8mm)
2	181088	Engine Cover
3	181089	Screw (M5 X 15.78mm)
4	181104	Engine Cover Screw
5	181090	Handle Assembly
6	181070	Screw (M5 X 32mm)
7	181091	Switch Slide
8	181092	Upper Drive Housing Assembly with Shaft
9	181093	Throttle Cable
10	181094	18" Lead Wire Set
11	181095	Anti-Rotation Screw
12	610327	Shoulder Strap Clip
13	181096	Trigger
14	610314	Spring
15	181097	Switch
16	181098	Switch & Trigger Retainer
17	181811	Screw
18	181812	Upper Handle Clamp
19	181813	Middle Handle Clamp
20	181814	Lower Handle Clamp
21	181815	Nut
22	145569	Anti-Rotation Screw
23	181077	Retainer Screw
24	181099	J-Handle Assembly (items 25 & 26)
25	612831	Grip
26	612021	Tube Closure
*	683295	Handle Bracket Assembly
*		not shown

BOOM AND TRIMMER PARTS - MODEL 975r

(Serial No. 611000001 and greater)



Item Part No. Description

1	181092	Upper Drive Shaft and Housing Assembly
2	181616	Click-Link System (includes 3&4)
3	181617	Bolt
4	181618	Adjustment Knob
5	180689	Lower Drive Shaft/ Housing Assembly
6	181852	Flexible Drive Shaft
7	153597	Clamp Assembly (includes 9)
8	180547	Guard Mounting Hardware
9	145569	Anti-Rotation Screw
10	181566	Gearbox (includes 13)
11	180548	Guard & Blade Assembly (includes 12)
12	180553	Blade Assembly
13	181457	Outer Spool and Eyelet Assembly w/ Retainer
14	181458	Retainer
15	181561	Thrust Washer
16	181459	Small Spring
17	181461	Slider
18	181532	E-Clip
19	181531	Spring
20	181462	Plunger
21	181463	C-Clip
22	181464	Inner Reel
23	181465	Large Spring
24	181467	Foam Seal
25	181468	Bump Head Knob Assembly with Spring and Foam Seal

Optional Accessories

- * 181472 Cutting Line, (Eight - 10 ft lengths)
- * 181460 Reel and Line Assembly
- * 181470 Complete Cutting Head Assembly (includes 7, 9-10, 13-24)
- * 682075 Shoulder Strap Assembly